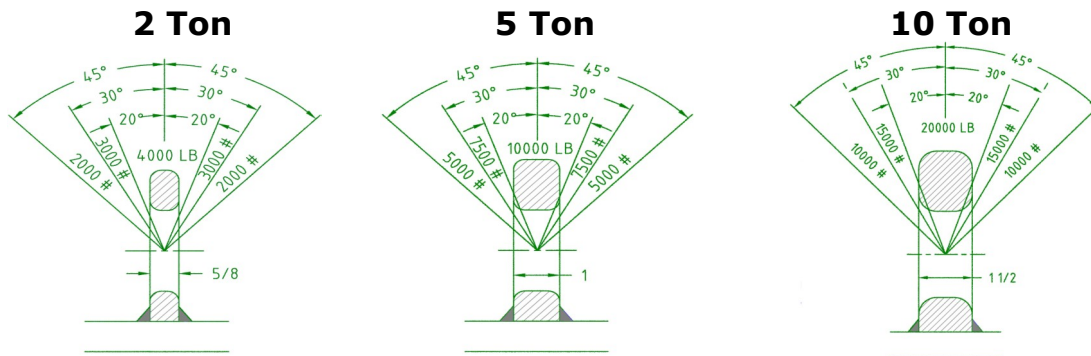


WINSAFE

LIFTING LUGS

WINSAFE lifting lugs are designed to be welded to compatible steel materials in order to lift them into place safely and securely.

- **Fabricated from A36 Steel.**
- **Available in 1/2, 2, 5, and 10 ton maximum rated capacities.**
- **Color coded and stamped with rated capacity to provide quick identification.**
- **Meets OSHA requirements (minimum five to one safety factor).**
- **The load ranges for the individual lifting lugs are as follows:**



For more information, please contact:

WINSAFE CORP.

One Valleywood Drive, Unit #1
Markham, ON
L3R 5L9 Canada

winsafe.com
905•474•9340
905•474•9341 fax
info@winsafe.com