

WINSAFE CORP.

OPERATING INSTRUCTIONS FOR OUTRIGGER DAVIT

WINSAFE PART # WSOR208

THESE INSTRUCTIONS MUST BE READ AND UNDERSTOOD BY ANYONE INSTALLING OR SUSPENDING EQUIPMENT FROM WINSAFE MODULAR BEAMS AND ACCESSORIES. ANY QUESTIONS MUST BE DIRECTED TO THE WINSAFE DEALER OR DIRECTLY TO THE ADDRESS BELOW.



WINSAFE CORP.—1 VALLEYWOOD DRIVE, UNIT # 1
MARKHAM, ONTARIO—L3R 5L9—CANADA
PHONE: 905-474-9340—FAX: 905-474-9341
INFO@WINSAFE.COM—WWW.WINSAFE.COM



WARNING

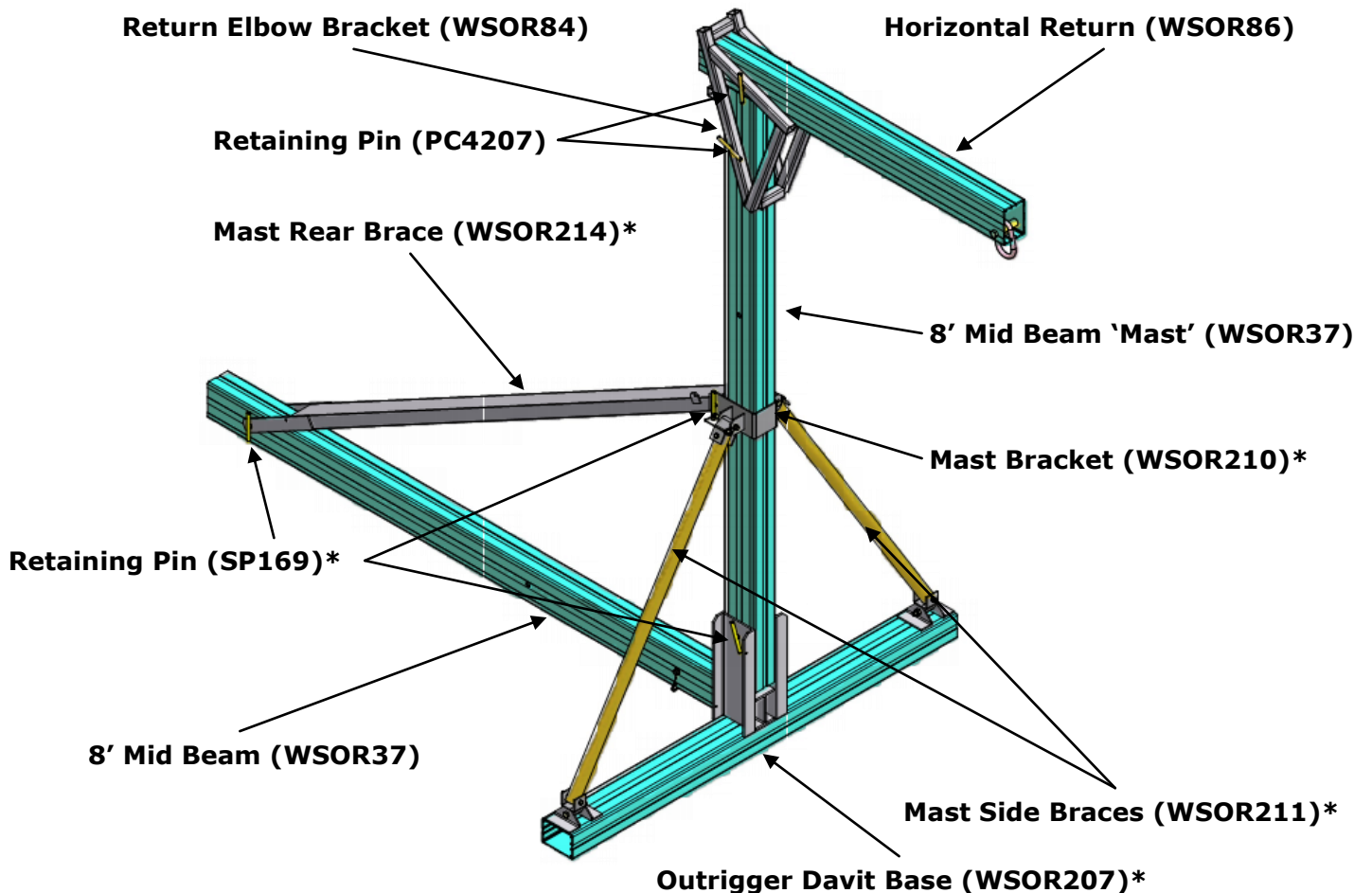


1. Serious injury or death can result from improper use of this equipment. Read and understand all instructions for all components of your system before using them.
2. A complete suspended scaffold system is composed of four sub systems. You must ensure that you have operating instructions for each of the following systems:
 - ↪ Suspension system
 - ↪ Modular platform
 - ↪ Hoist (suspension) system and suspension cables
 - ↪ Fall arrest system for each person on the modular platform
3. All outrigger components, suspension lines, lifelines, hangers, platforms and other supporting parts must be inspected prior to each/daily usage.
4. Do not use equipment which has been damaged or which displays excessive wear. Inspect all equipment before and after each use. For replacement parts, contact your local dealer or Winsafe Corp.
5. Review the rigging set up at the start of each day to ensure that no changes have been made to the counterweights, the tie back cables, or the reach of the modular outrigger beams.

OUTRIGGER DAVIT

The Outrigger Davit provides quick, easy clearance over tall parapets of up to 8' feet in height, while allowing for the outrigger beam and rigging equipment to be setup behind the parapet on the rooftop level. Additional Mid Beams and 30" Splices may be required if your application requires additional distance to meet counterweight requirements. It utilizes the following standard Winsafe outrigger beam components:

- ↳ WSOR37 8' Mid Beam x2
- ↳ WSOR84 Return Elbow Bracket
- ↳ WSOR86 Horizontal Return
- ↳ WSOR40 30" Splice
- ↳ WSOR39 or WSOR44 8' Rear Beam
- ↳ PC4207 8" LG. Retaining Pin x2



* = Included in WSOR208 Outrigger Unit Kit

Installation Procedure:

1. Lay the Outrigger Davit Base (WSOR207) parallel to the edge of the parapet with the Mast Side Brace (WSOR211) connections facing up.
2. Attach an 8' Mid Beam (WSOR37) to the protruding I-beam feature located in the middle of the Outrigger Davit Base (it will be perpendicular to the parapet in this orientation). Secure it with the supplied snap lock pin. Ensure that the retaining clip is locked on the snap lock pin after the pin is pushed completely through the beam.
3. Insert a 30" Splice (WSOR40) into the back of the previously installed Mid Beam. Do not secure it as this time (it will be pinned later, together with the Mast Rear Brace (WSOR214) in Step 14)
4. Install an 8' Rear Beam (WSOR39 or WSOR44) to the rear of the splice. Ensure that the retaining clip is locked on the snap lock pin after the pin is pushed completely through the beam.

Notes:

- Some applications may use an additional tail section. Follow the same procedure to assemble the intermediate Mid Beam Section and a 30" splice.
 - Use of an additional intermediate beam section will alter (reduce) the amount of counterweights required to provide a 4 to 1 resistance to overturning. Refer to 'Winsafe's Modular Beams and Accessories' Operating Instructions manual for guidance in determining the counterweight requirement or contact Winsafe or their dealer.
5. Insert an 8' Mid Beam between the two vertical brackets located in the middle of the Outrigger Davit Base. This will be the vertical mast. Secure it with the included 5" Retaining Pin (SP169). Ensure that the retaining pin is fully inserted and that the retaining clip is locked. At this point, the mast can be laid down to rest upon the tail section of the system to ease further assembly.



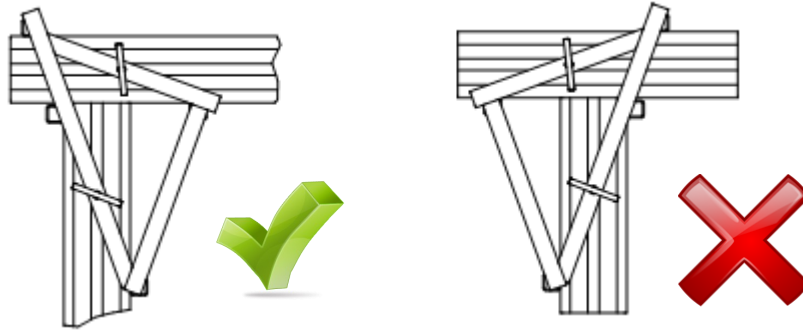
Caution:

- The pin serves as the Outrigger Davit Assembly hinge. Take care to properly support the vertical mast any time the Mast Rear Brace (WSOR214) is not connected to avoid unintentional damage or injury.
6. Assemble a Return Elbow Bracket (WSOR84) to the other end of the mast, and pin it in place using a 8" Retaining Pin (PC4207). Ensure that the retaining pin is fully inserted and that the retaining clip is locked.
 7. Insert a Horizontal Return Beam (WSOR86) into the Return Elbow Bracket.



Caution:

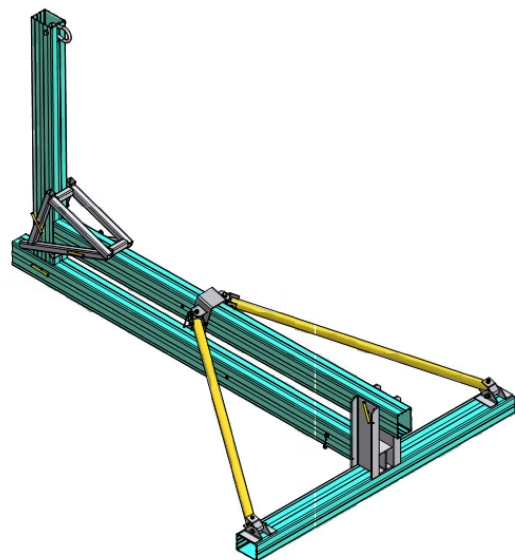
- BE SURE THAT THE RETURN ELBOW BRACKET IS ORIENTED CORRECTLY IN ACCORDANCE WITH THE DIAGRAMS BELOW.



8. Adjust the position of the Horizontal Return Beam to allow for the desired amount of outreach beyond the mast. Pin it in place using a 5" Retaining Pin. Ensure that the retaining pin is fully inserted and that the retaining clip is locked.

Note:

- Refer to 'Winsafe's Modular Beams and Accessories' Operating Instructions manual for guidance in determining the counterweight requirement when using alternative reach values or contact Winsafe or their dealer.
9. Install the Mast Side Braces (WSOR211) to the Mast Bracket (WSOR210) using the included 3 1/2" snap lock pin on one side and the 3 1/2" Hex Head Bolt with Nyloc nut on the other.
 10. Assemble the opposite ends of the Mast Side Braces (WSOR211) to the Outrigger Davit Base (WSOR207) using the included 3 1/2" Hex Head Bolts and Nyloc nuts.
 11. Lower the Side Braces/Mast Bracket assembly onto the mast in preparation for raising the Outrigger Davit into its working position. At this point, the Outrigger Davit setup should look like the image shown to the right.
 12. Connect the rigging to the pear link suspension point on the front of the Horizontal Return Beam.
 13. Once everything is ready, raise the Outrigger Davit mast so that it pivots upward until it is vertical. Ensure that while this is happening, that the mast stays within the Mast Bracket.

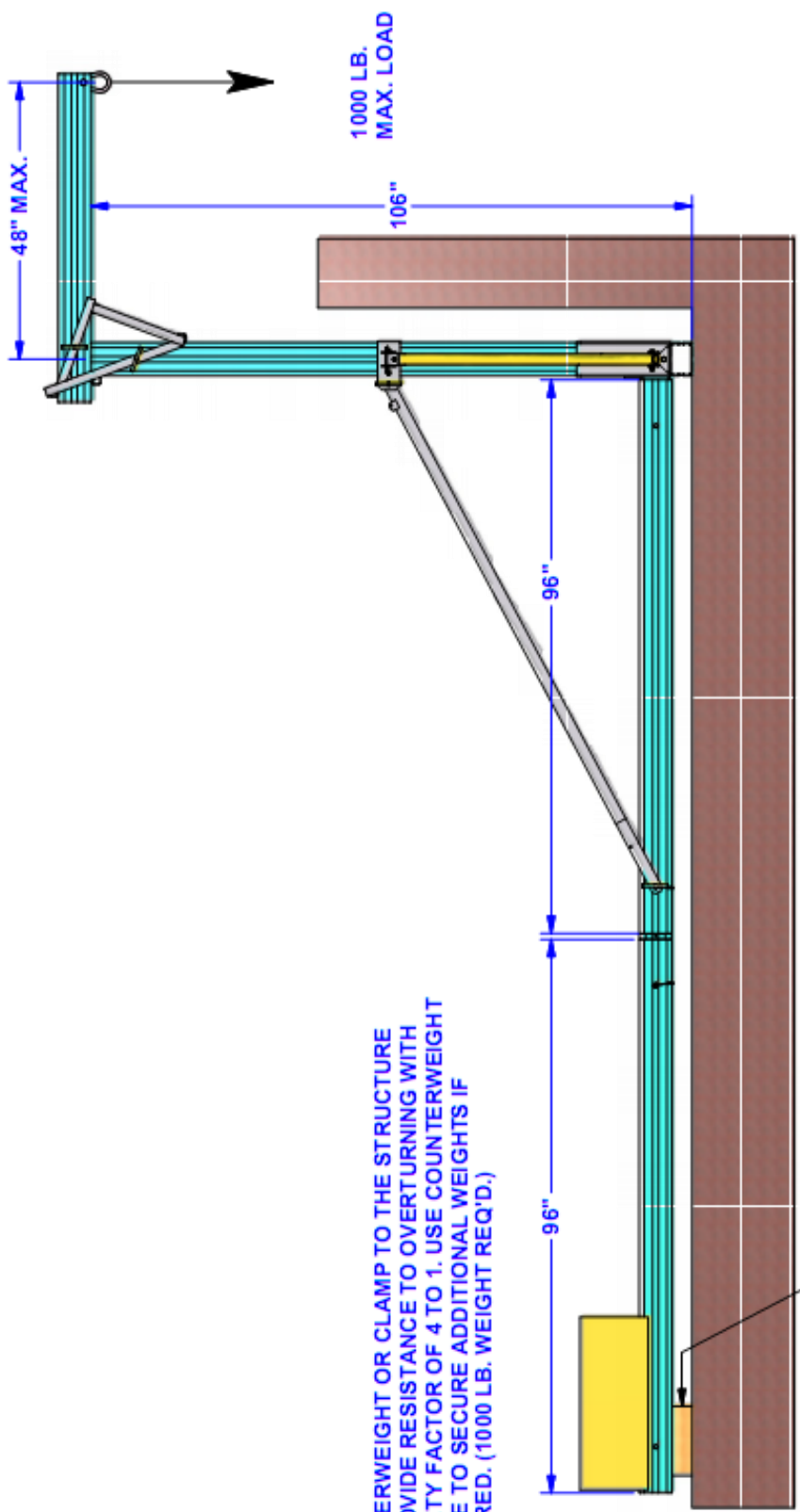


Note:

- AT THIS POINT, TWO INDIVIDUALS ARE REQUIRED TO SAFELY RAISE THE DAVIT AND SECURE IT IN PLACE. Once the mast is vertical, one person should hold it in position while the other installs the Mast Rear Brace (WSOR214).
14. Slide the long parallel end straps of the Mast Rear Brace over the horizontal beam tail section at the first splice location. Pin it through the splice that had not previously been secured (Refer to Step 3) using the included 5" Retaining Pin. Ensure that the retaining pin is fully inserted through the beam and the splice and that the retaining clip is locked.
 15. The short parallel end straps of the Mast Rear Brace will mate with the Mast Bracket. Secure using the included 5" Retaining Pin. Ensure that the retaining pin is fully inserted and that the retaining clip is locked.
 16. Position the beam.
 17. Install counterweights and safety tie-backs (Refer to 'Winsafe's Modular Beams and Accessories' Operating Instructions manual).
 18. Lower the wire rope over the end of the building according to safe work practices.
 19. Disassembly is done by completing the above steps in reverse.

Notes:

- The Outrigger Davit Mast must be supported on a solid surface capable of carrying the applied load. Do not use insulating boards or other non-rigid materials under the Outrigger Davit Mast to spread out the weight.
- When calculating the correct amount of counterweight, consider the center of the Outrigger Davit Mast as your fulcrum point and not the parapet of the building.
- Any adjustments to the outreach of the Horizontal Return beam should be done only once the Outrigger Davit has been lowered to the rigging position.
- Two individuals are required when erecting or dismantling the Outrigger Davit.
- Position the Outrigger Davits and the drop points directly above the suspension points on the stage. NEVER ALLOW YOUR DROP POINTS TO TRAVEL DIAGONALLY INWARD OR OUTWARD TO YOUR SUSPENSION POINTS ON THE STAGE. The Outrigger Davit is intended to be subjected to vertical loads only.
- Prior to installing counterweights, take care when positioning the Outrigger Davit into place so as to ensure that it does not tip over the parapet.
- DO NOT PUT ANY LOAD ON THE OUTRIGGER DAVIT UNTIL ALL STEPS HAVE BEEN COMPLETED AND THE MAST HAS BEEN SECURED IN PLACE.



TIE BACK IN ACCORDANCE WITH APPLICABLE REGULATION AND SAFE WORK PRACTICE.

ROOF, SLAB, PARAPET OR OTHERS SUPPORTING SURFACES MUST BE VERIFIED AS ADEQUATE TO SUPPORT LOADING.

WINSAFE CORP.

		TITLE: OUTRIGGER DAVIT ASSY.	
DO NOT SCALE <small>UNLESS OTHERWISE SPECIFIED</small>	DRAWN: ST	DATE: 3/2/2011	SCALE: 1:16
<small>WINSAFE IS NOT RESPONSIBLE FOR THE DESIGN, CONSTRUCTION, OR MAINTENANCE OF ANY STRUCTURE OR EQUIPMENT THAT IS NOT DESIGNED OR MANUFACTURED BY WINSAFE. WINSAFE IS NOT RESPONSIBLE FOR THE DESIGN, CONSTRUCTION, OR MAINTENANCE OF ANY STRUCTURE OR EQUIPMENT THAT IS NOT DESIGNED OR MANUFACTURED BY WINSAFE.</small>	CHECK: HV	APP: HV	DRAWING NO.: WSOR208-S